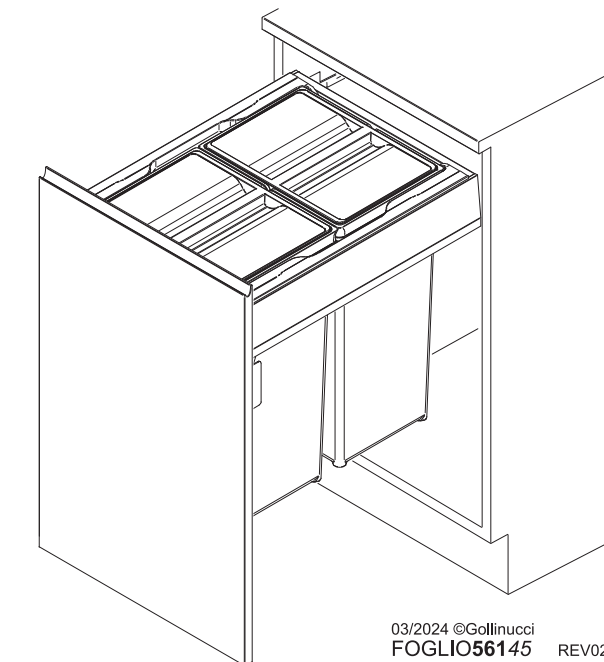
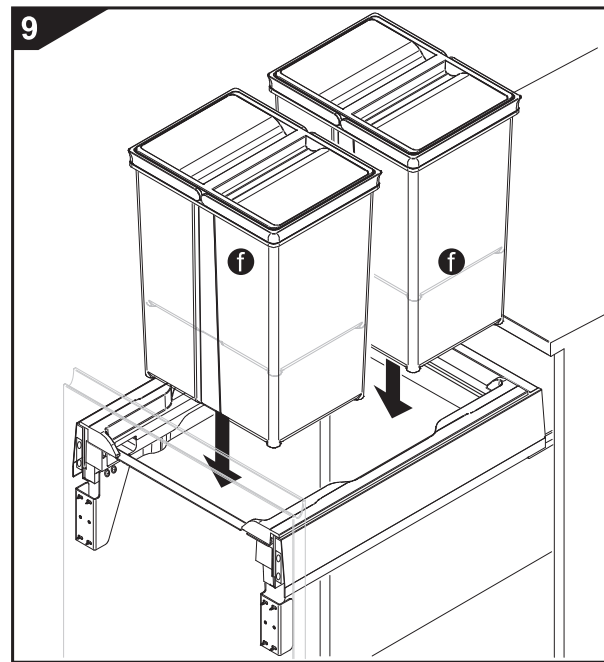
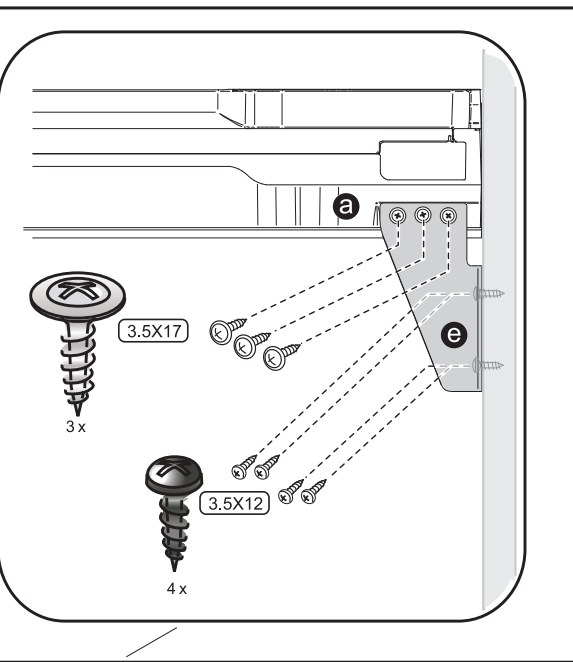
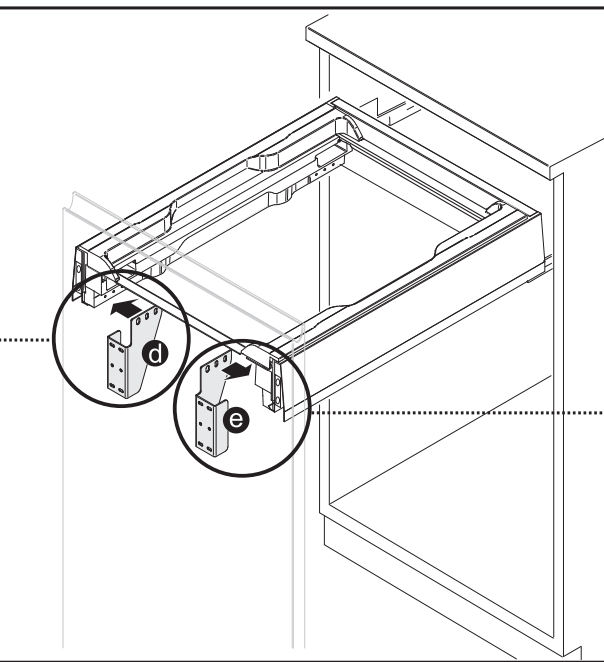
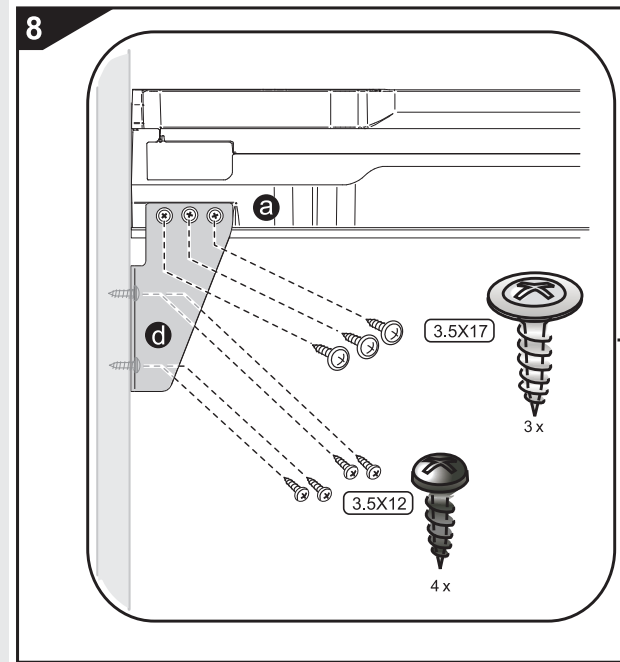
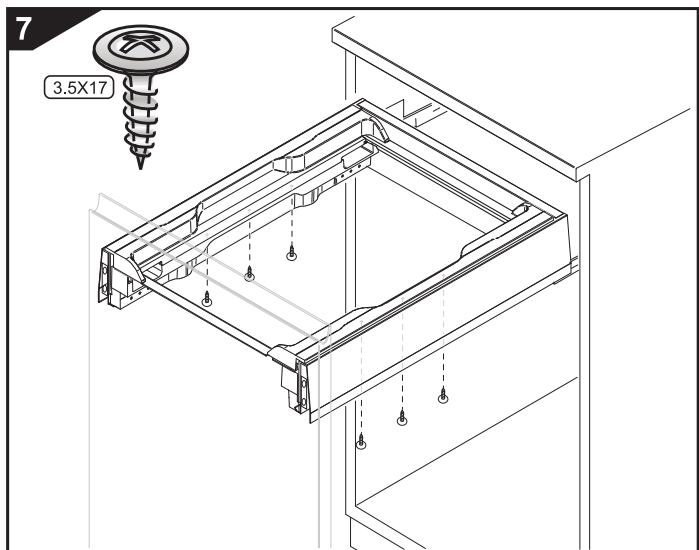
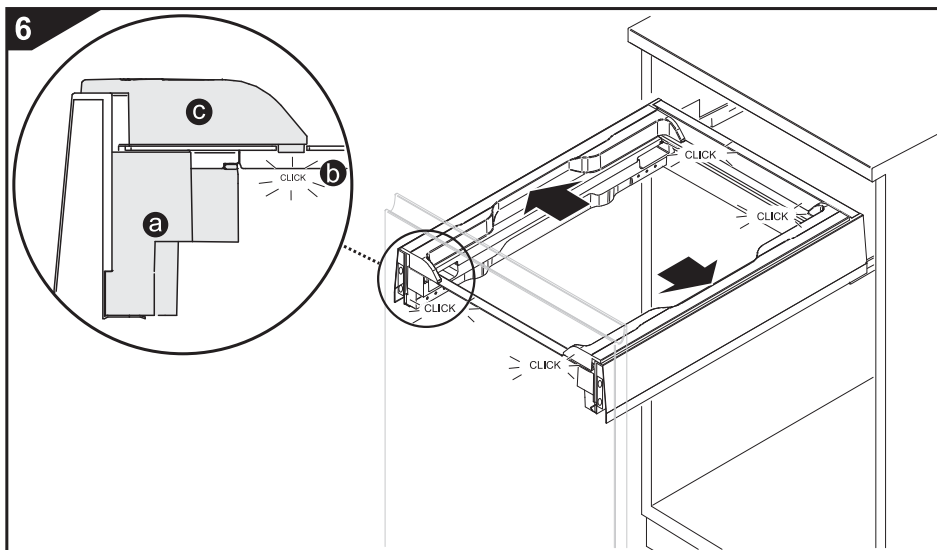
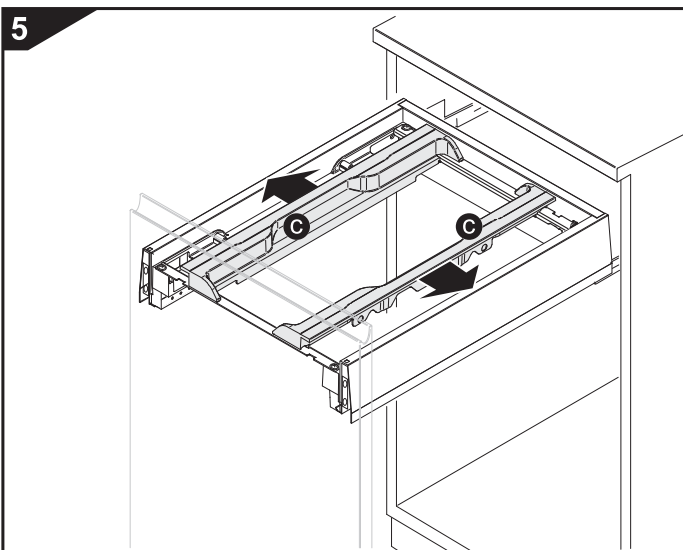
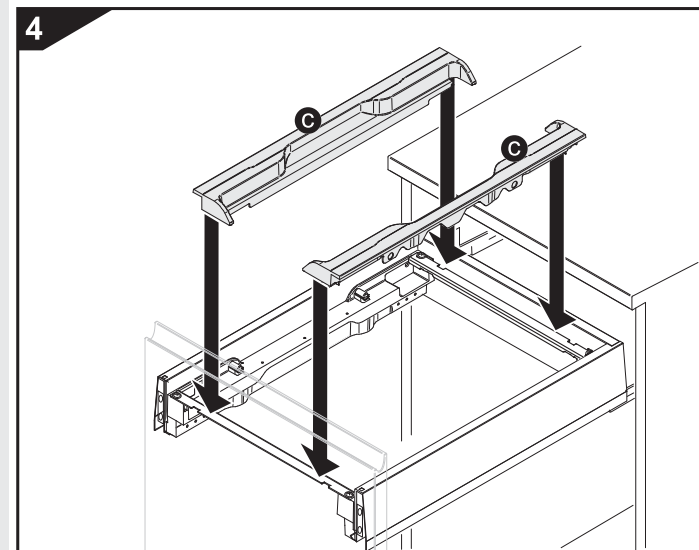
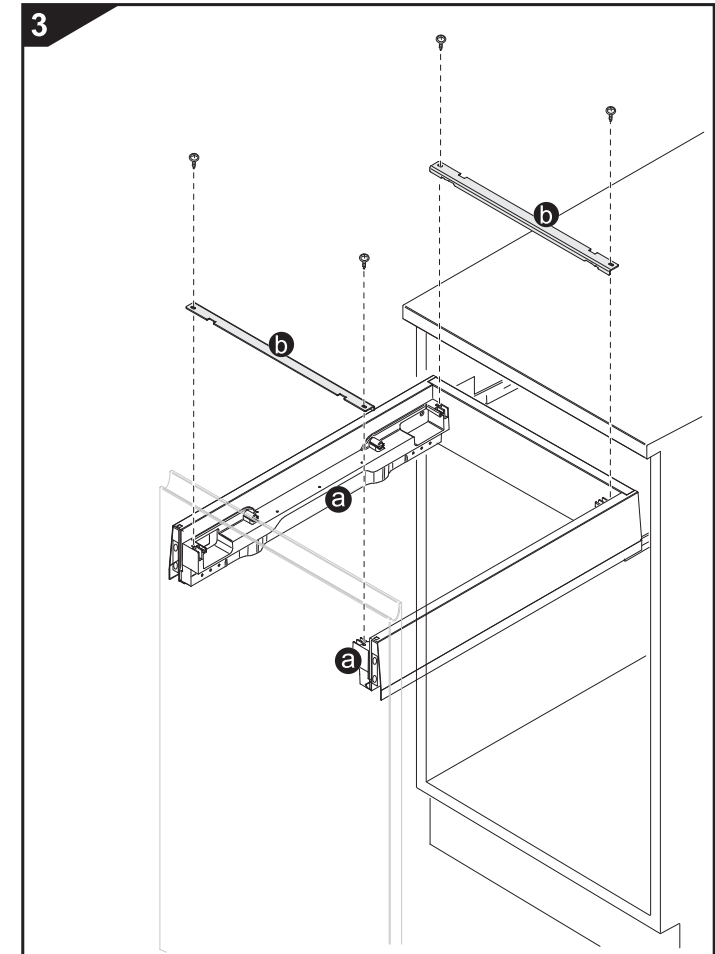
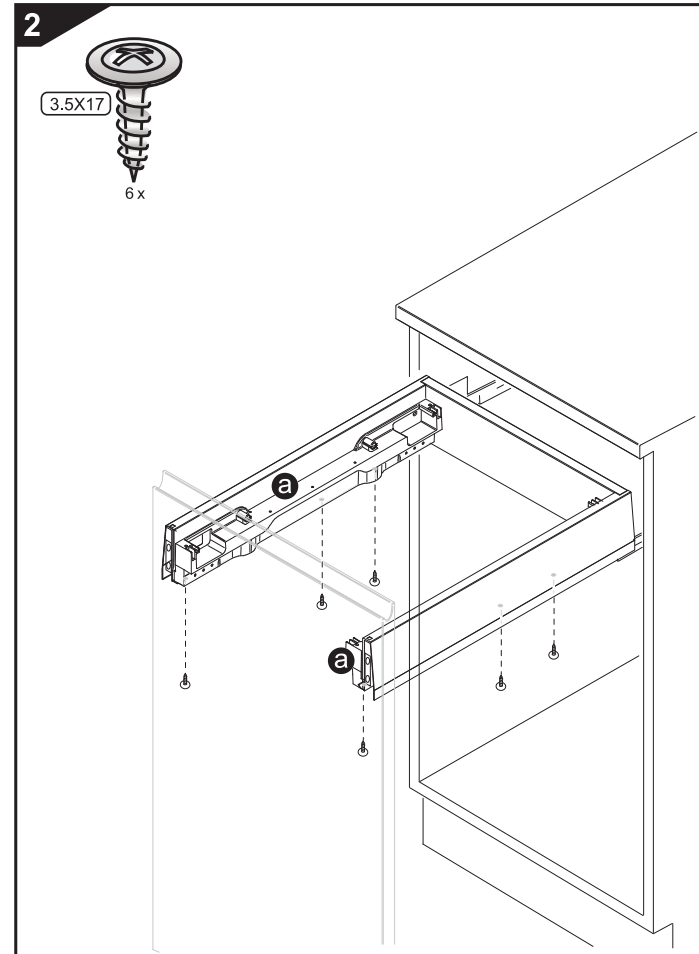
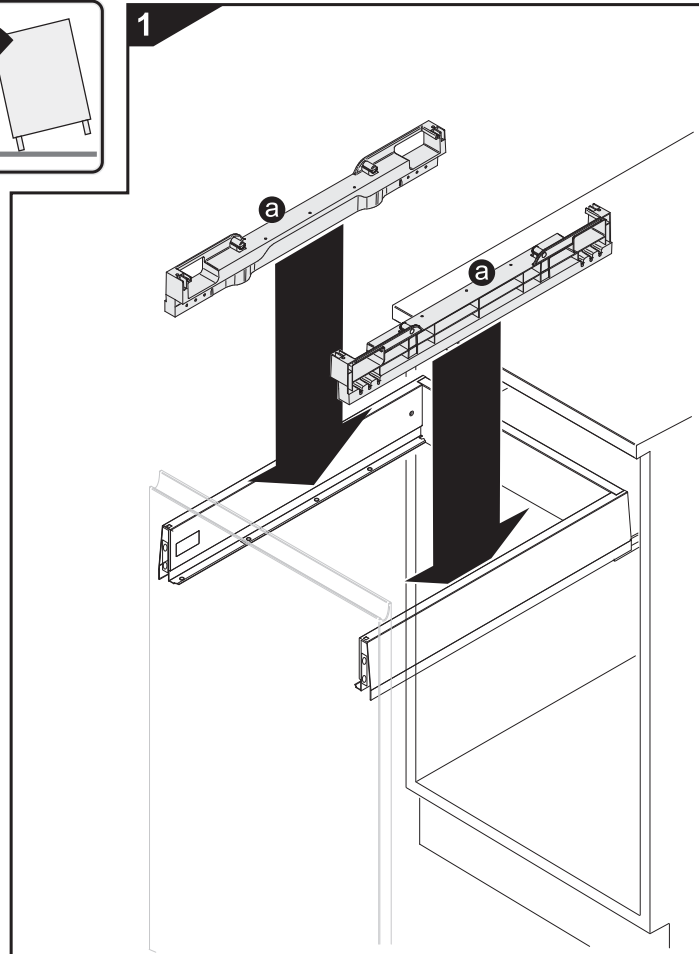
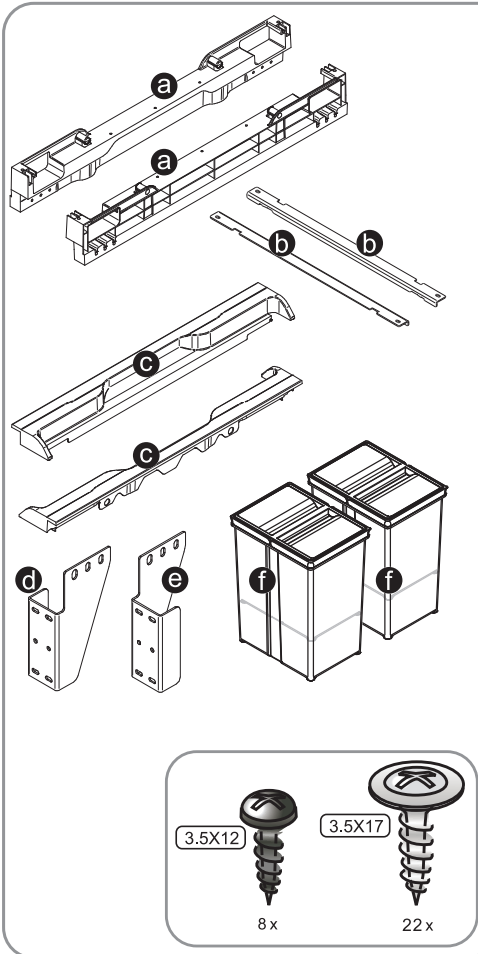
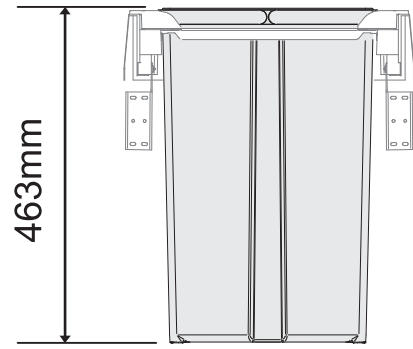


•base450mm: ART. 561_4550A ART. 561_4550B
•base500mm: ART. 561_5050A ART. 561_5050B

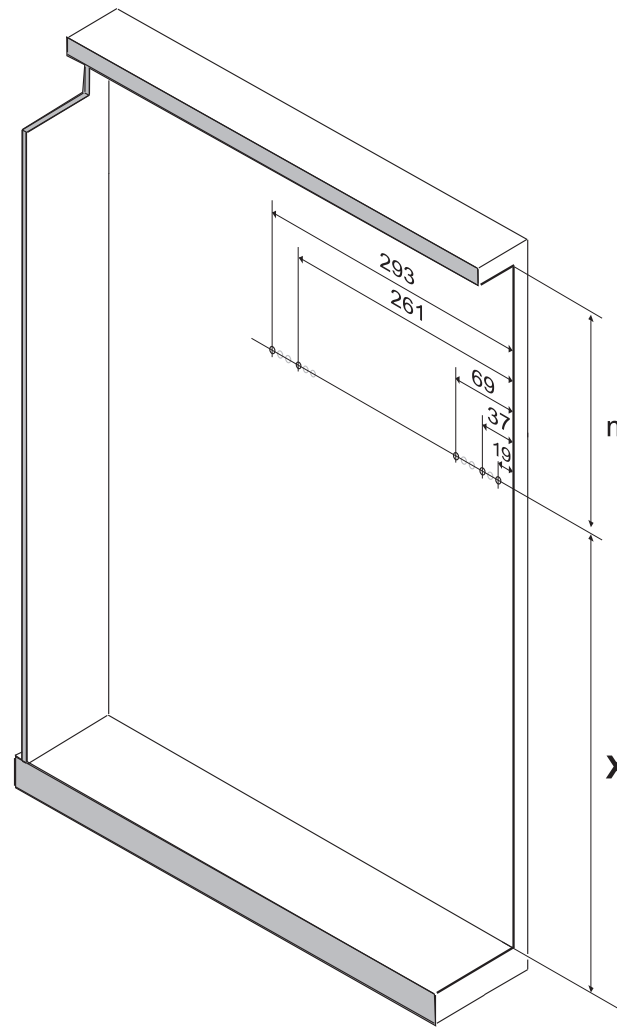


DRILLING POSITION (Blum MERIVOBX®)

ART. 561_4550A



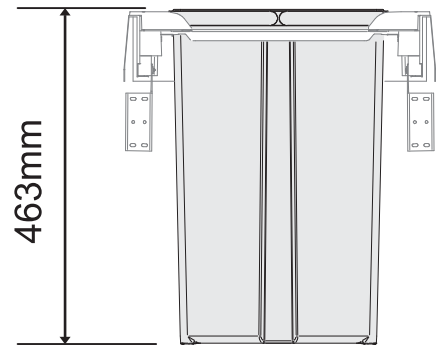
463mm



min.80mm

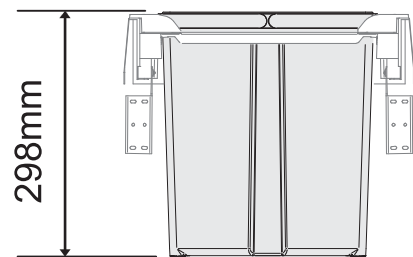
X : min.416mm

ART. 561_5050A

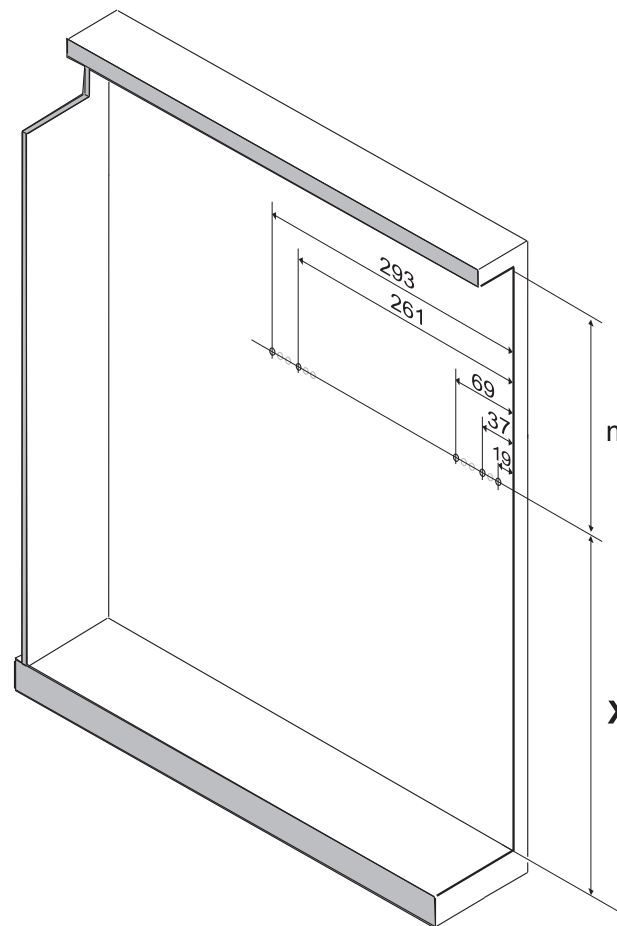


463mm

ART. 561_4550B



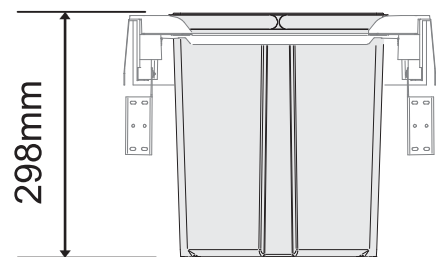
298mm



min.80mm

X : min.251mm

ART. 561_5050B



298mm

