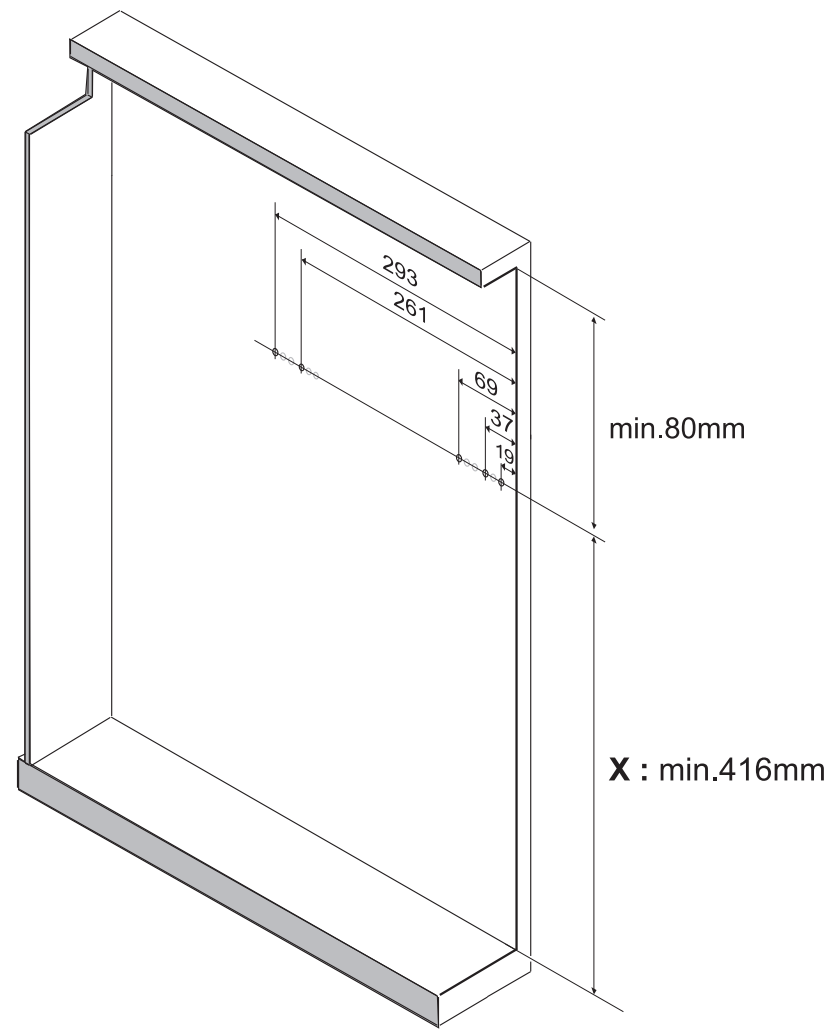
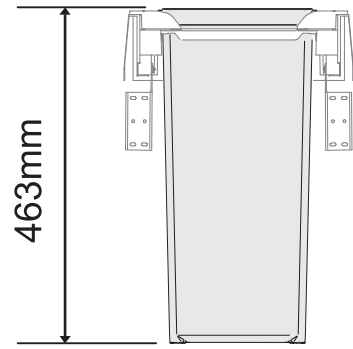


DRILLING POSITION (Blum MERIVOBX®)

ART. 561_4050A



ART. 561_4050B

