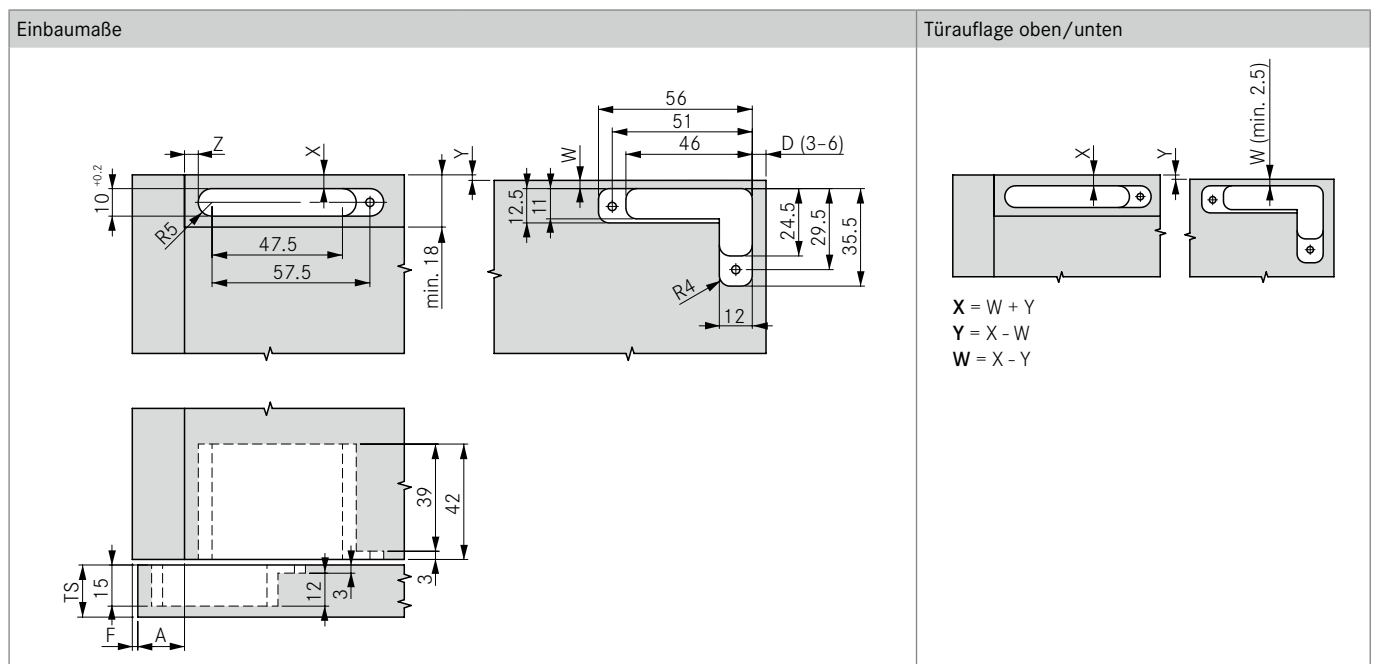
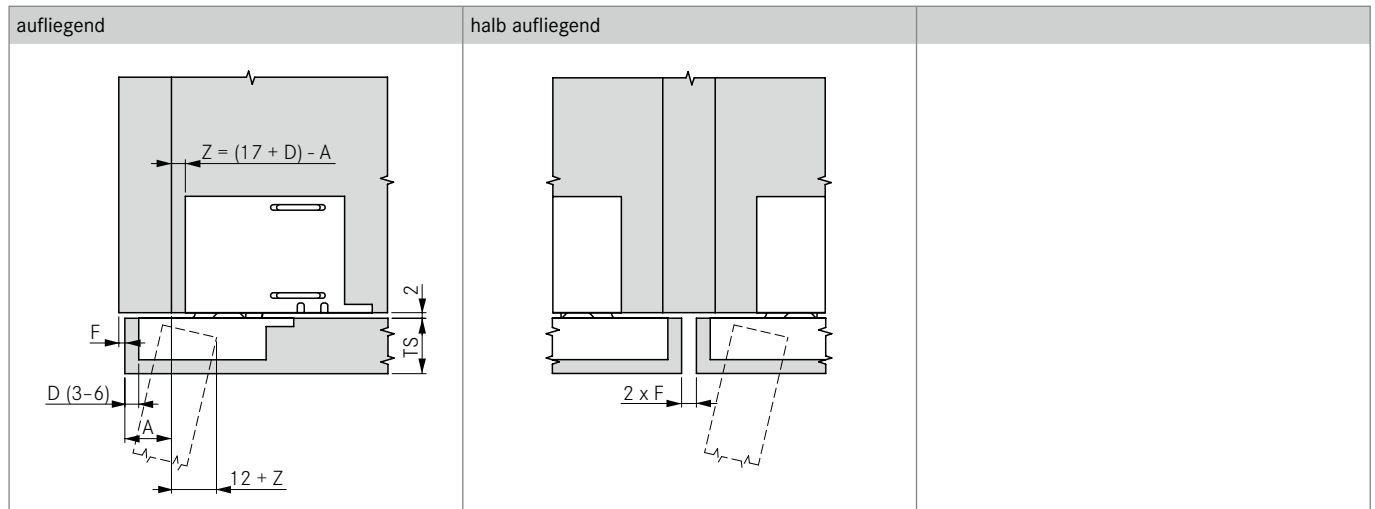


PLANUNGSHINWEISE

Alle Maße in Millimeter



MINDESTFUGE (F)

| | D | | | |
|------|-----|-----|-----|-----|
| | 3 | 4 | 5 | 6 |
| 32.0 | 4.7 | 4.2 | 3.9 | 3.7 |
| 30.0 | 3.1 | 2.9 | 2.8 | 2.7 |
| 28.0 | 2.1 | 2.0 | 2.0 | 1.9 |
| 26.0 | 1.4 | 1.4 | 1.3 | 1.3 |
| 24.0 | 0.9 | 0.9 | 0.8 | 0.8 |
| 22.0 | 0.5 | 0.5 | 0.5 | 0.5 |
| 20.0 | 0.2 | 0.2 | 0.2 | 0.2 |
| 18.0 | 0.0 | 0.0 | 0.0 | 0.0 |

Mindestfuge (F)

TÜRAUFLAGE SEITLICH

| | D | | | |
|------|---|---|---|---|
| | 3 | 4 | 5 | 6 |
| 23.0 | | | | 0 |
| 22.0 | | | 0 | 1 |
| 21.0 | | 0 | 1 | 2 |
| 20.0 | 0 | 1 | 2 | 3 |
| 19.0 | 1 | 2 | 3 | 4 |
| 18.0 | 2 | 3 | 4 | 5 |
| 17.0 | 3 | 4 | 5 | 6 |
| 16.0 | 4 | 5 | 6 | |
| 15.0 | 5 | 6 | | |
| 14.0 | 6 | | | |

Türauflage (A)

$Z (Z = 17 + D - A)$

1

2

3

4

5

6

7