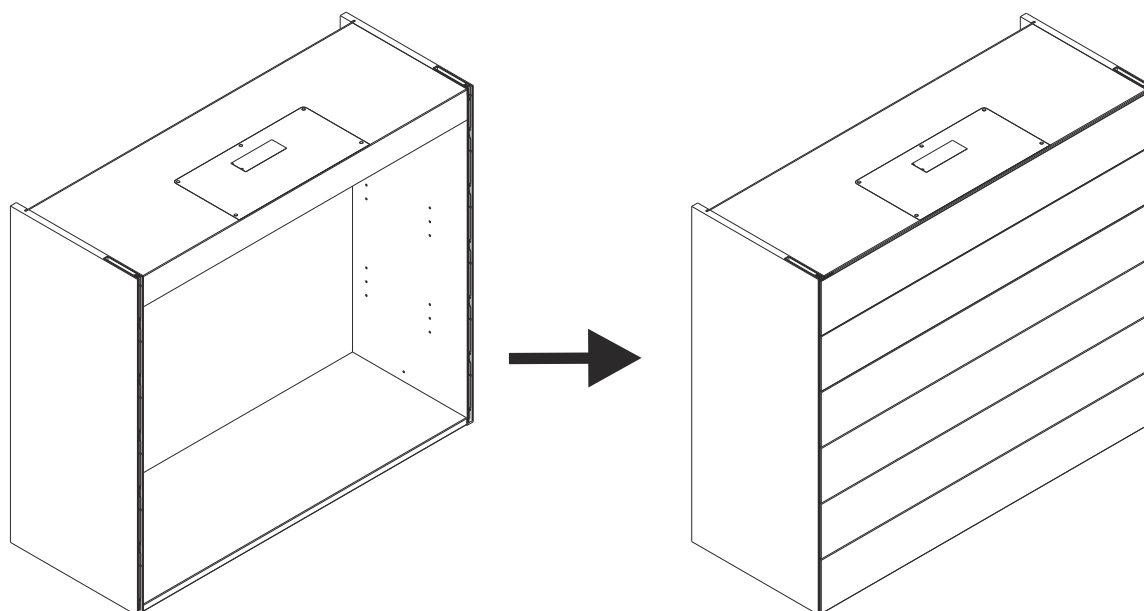


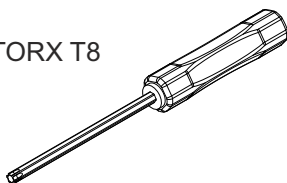
- ⓓ Montageanleitung
- ⓖᔁ Installation instructions
- ⓕ Instructions de montage
- ⓔ Instrucciones de montaje
- ⓗ Istruzioni per il montaggio
- ⓗᓗ Montagehandleiding
- ⓗᓗᓗ Инструкция по монтажу
- ⓖᓗᓗ Οδηγίες εγκατάστασης

- ⓗ 組立説明書
- ⓗᓗᓗ Uputa za montažu
- ⓗᓗᓗᓗ Montavimo instrukcija
- ⓗᓗᓗᓗᓗ Instrukcja montażu
- ⓗᓗᓗᓗᓗᓗ Instruções de montagem
- ⓗᓗᓗᓗᓗᓗᓗ Manual de montaj
- ⓗᓗᓗᓗᓗᓗᓗᓗ Montaj kılavuzu
- ⓗᓗᓗᓗᓗᓗᓗᓗᓗ 安装说明

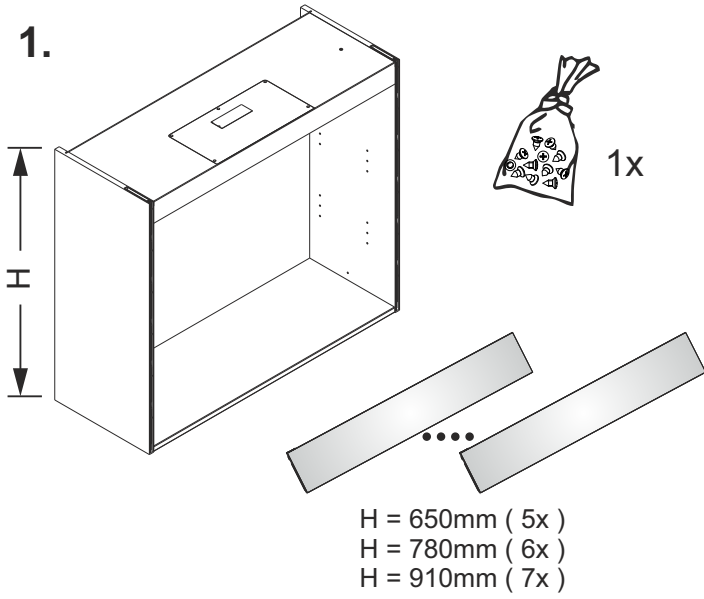
CLIMBER Typ 2015



TORX T8

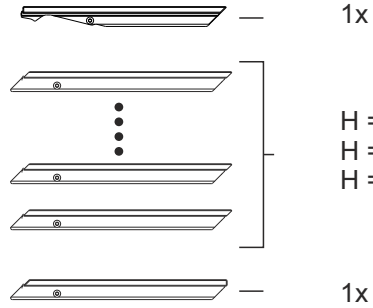


1.

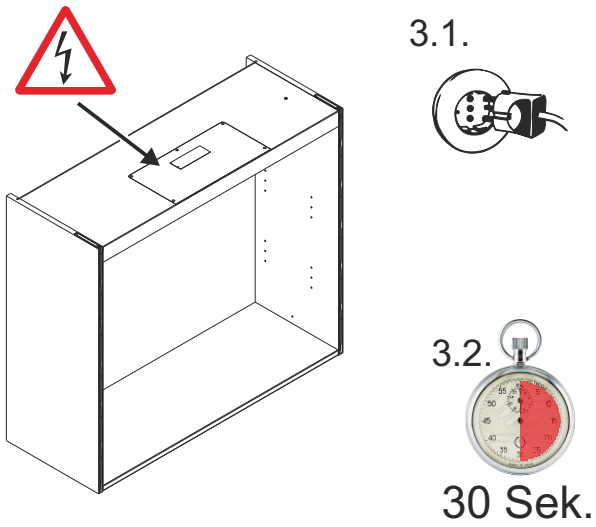


2.

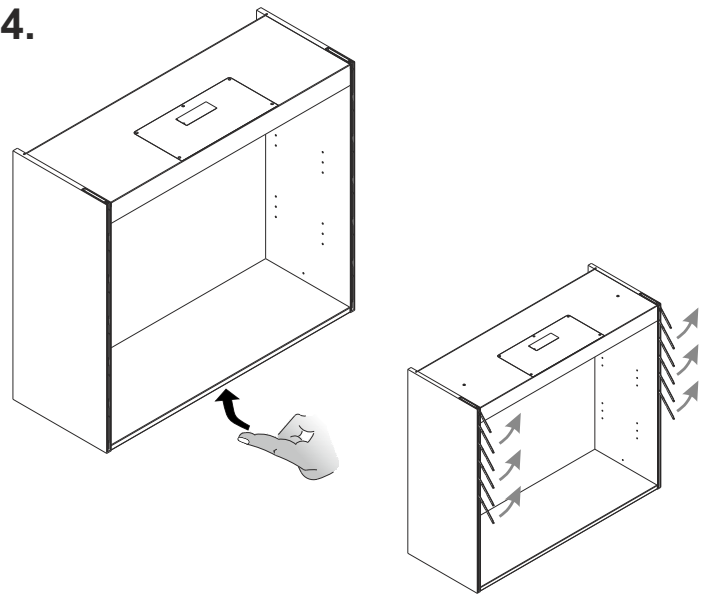
PT-Seko vz T8 2,5x6mm
H = 650mm (10x)
H = 780mm (12x)
H = 910mm (14x)



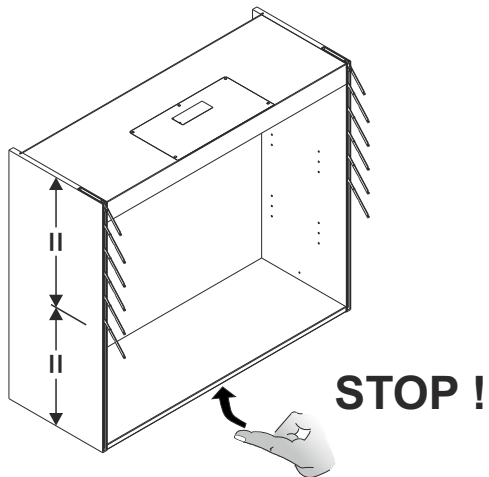
3.



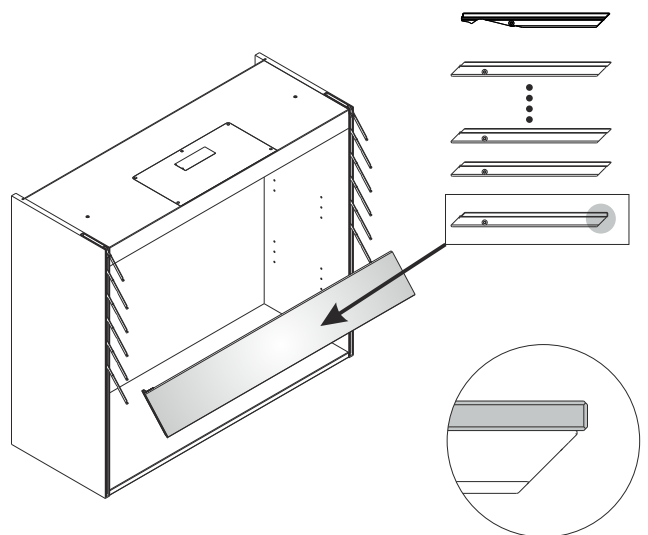
4.



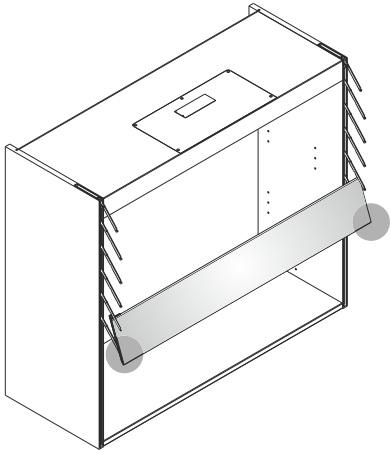
5.



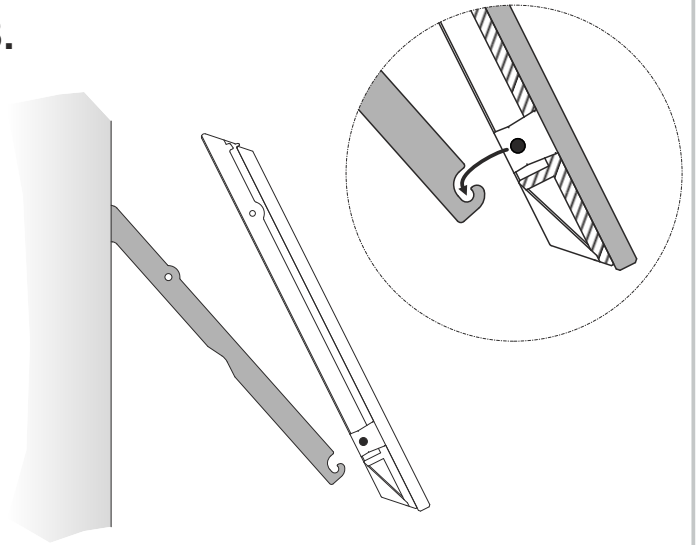
6.



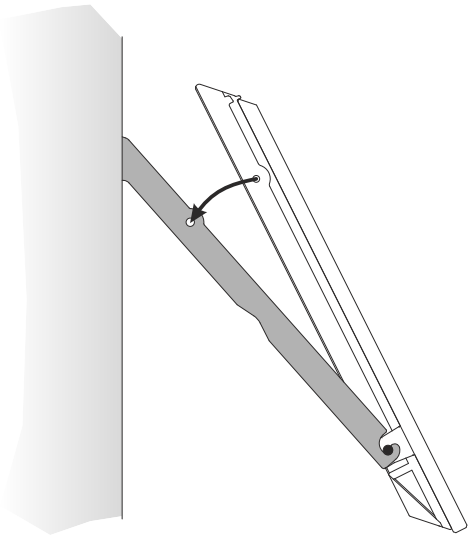
7.



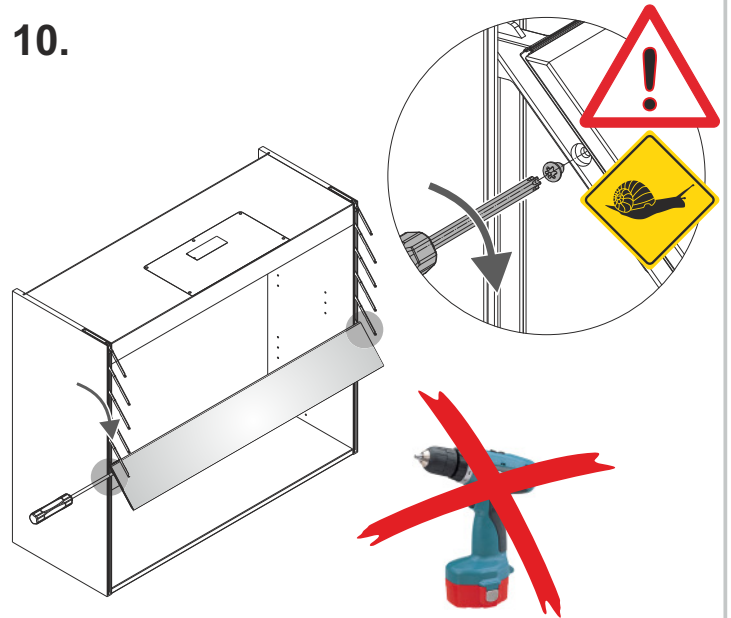
8.



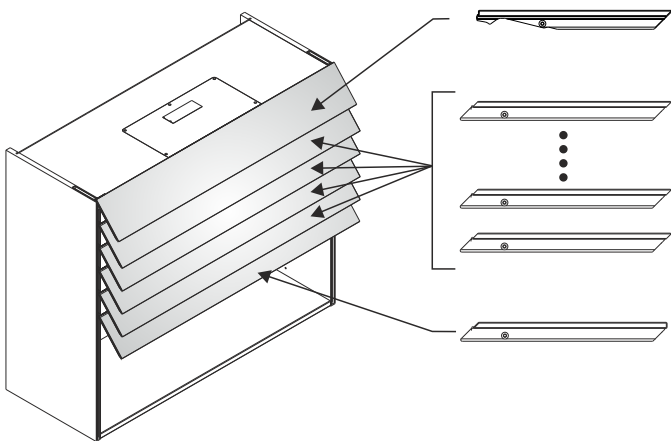
9.



10.



11.



12.

