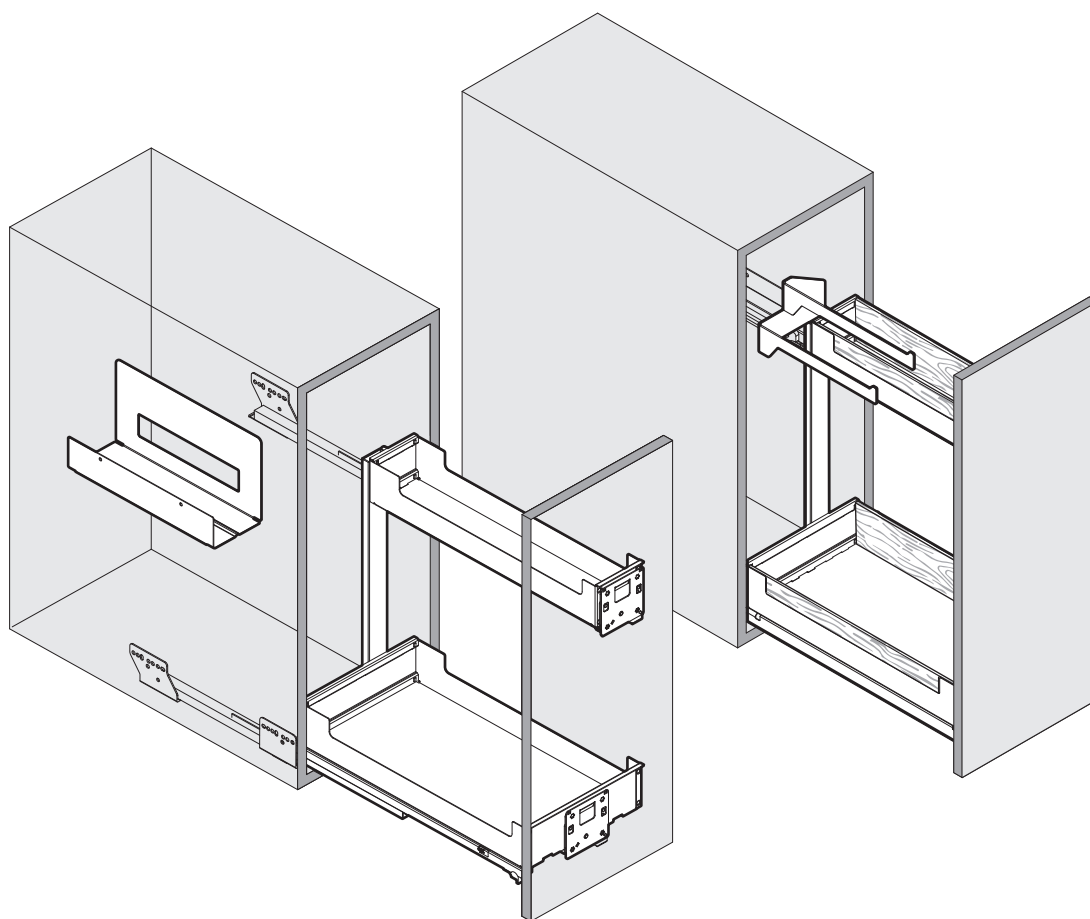


# PINELLO TOWEL & BOARD

Unterschrankauszug als Frontauszug  
Extension pour armoires basses comme système coulissant frontal  
Base unit pull-out as front pull-out



4x 	2x 	1x 	1x <b>Board</b> 	1x <b>Towel L/R</b> 	1x 
--------	--------	--------	---------------------	-------------------------	--------

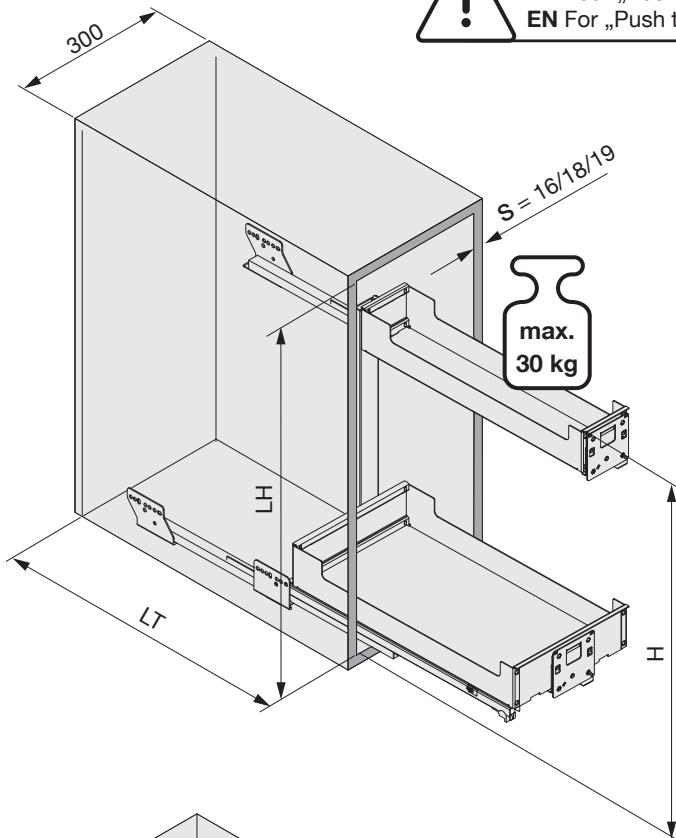
<b>Option</b>
2x 
200.2539.xx



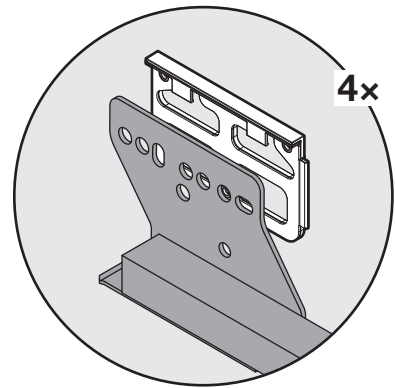
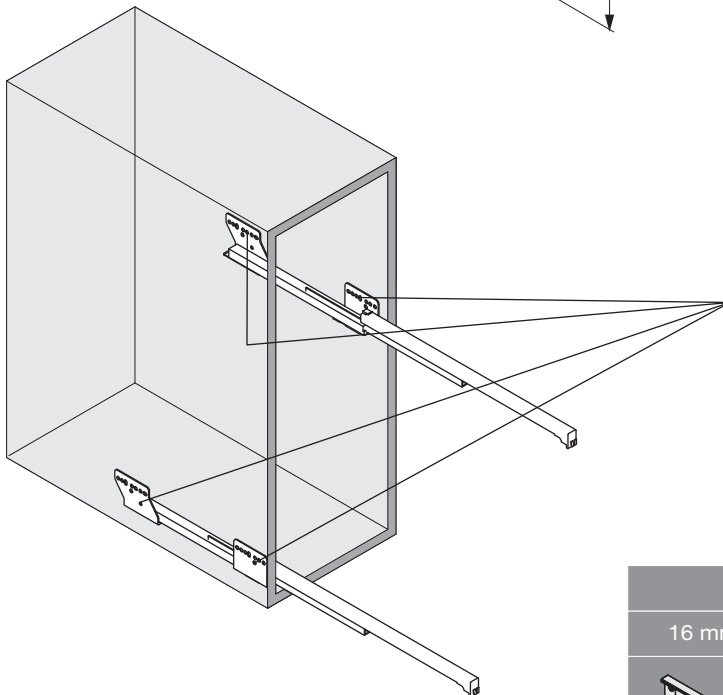
**DE** Führung Legrabox NL 500/Nova Pro NL 500 nicht im Lieferumfang enthalten.  
**FR** Coulisse Legrabox NL 500/Nova Pro NL 500 non fournis.  
**EN** Runner Legrabox NL 500/Nova Pro NL 500 not included.



**DE** Bei „Push to Open“ siehe Anleitung 950.0817.MA / 950.0819.MA  
**FR** Pour „Push to Open“ voir l'instruction 950.0817.MA / 950.0819.MA  
**EN** For „Push to Open“ see instructions 950.0817.MA / 950.0819.MA



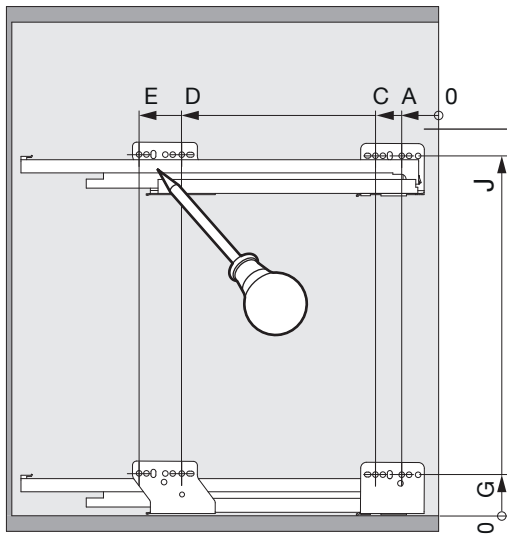
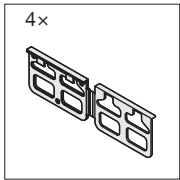
Typ	LT	LH		H
		Board	Towel	
Nova Pro	≥ 506	≥ 525	≥ 660	522
Legrabox	≥ 520	≥ 517	≥ 652	514



**DE** Die linke Version wird spiegelbildlich montiert.  
**FR** La version gauche est montée de manière inversée.  
**EN** The left version is mounted in reversed image.

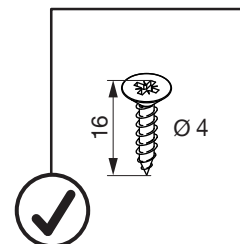
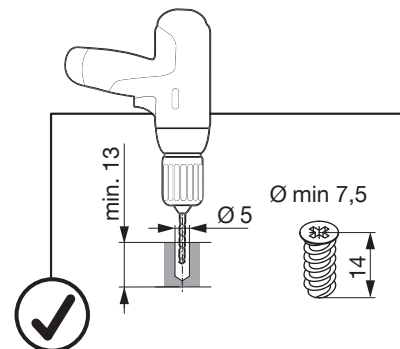
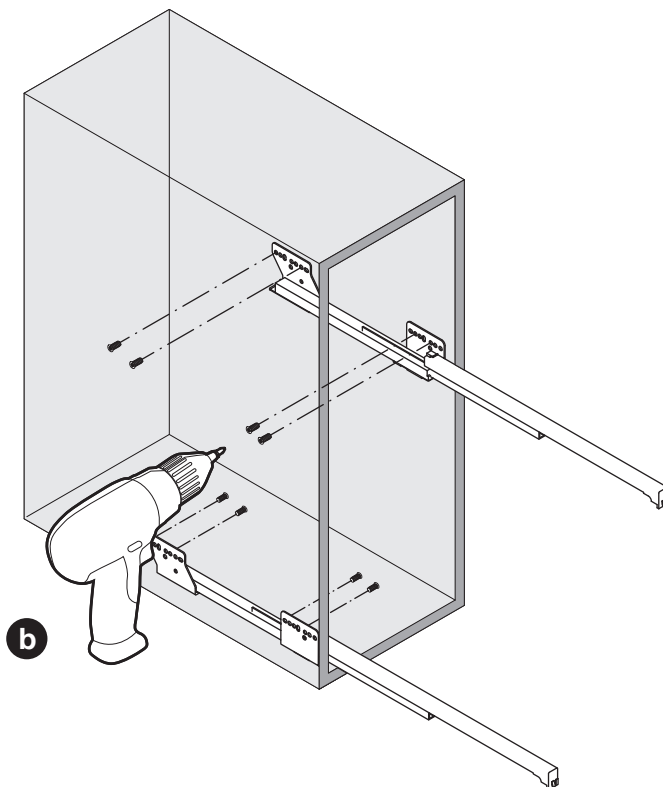
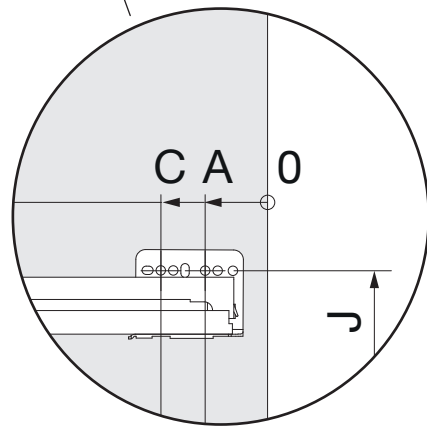
S		
16 mm	18 mm	19 mm
1+2	2	2

1

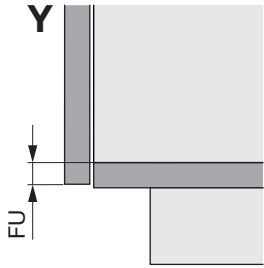
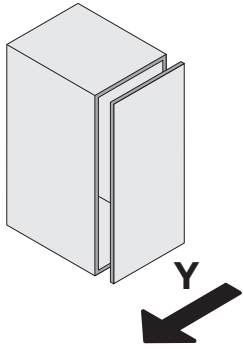
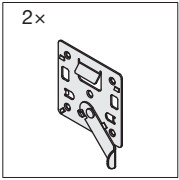


	Nova Pro NL 500	Legrabox NL 500
A	40	52.5
C	72	84.5
D	308	276.5
E	360	308.5
G	50	38
J	439	427

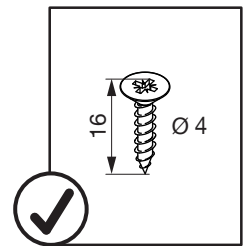
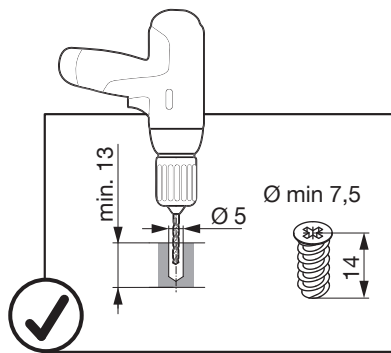
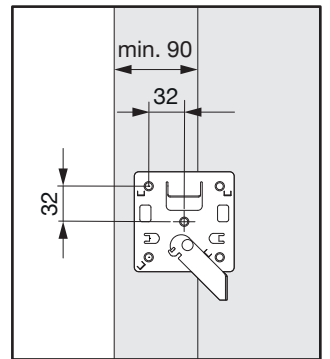
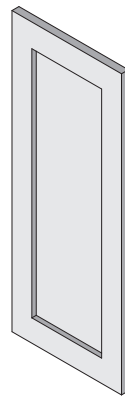
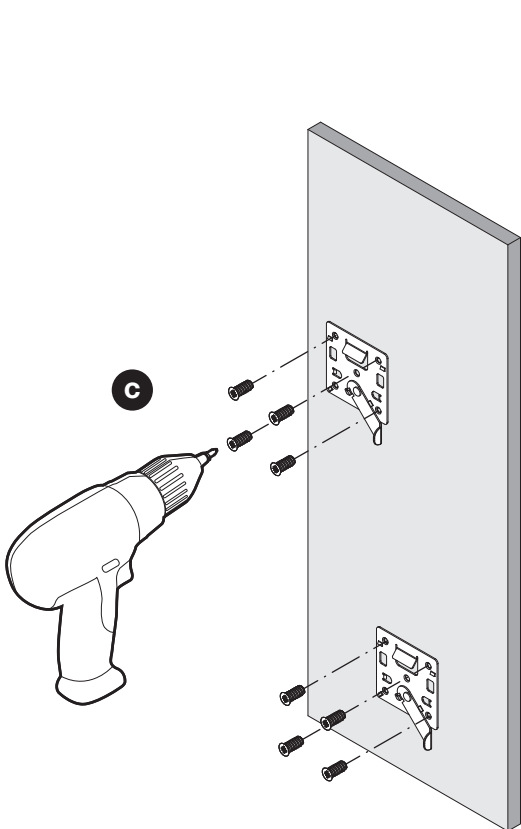
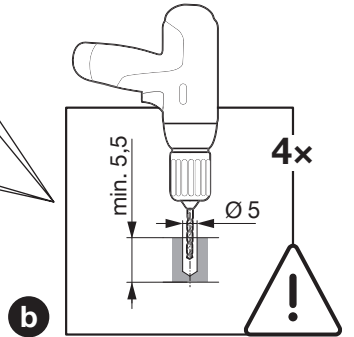
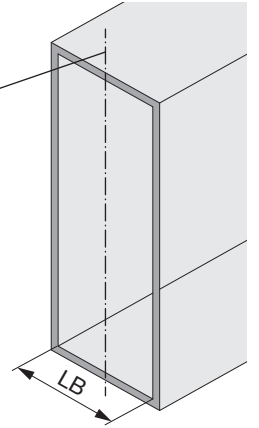
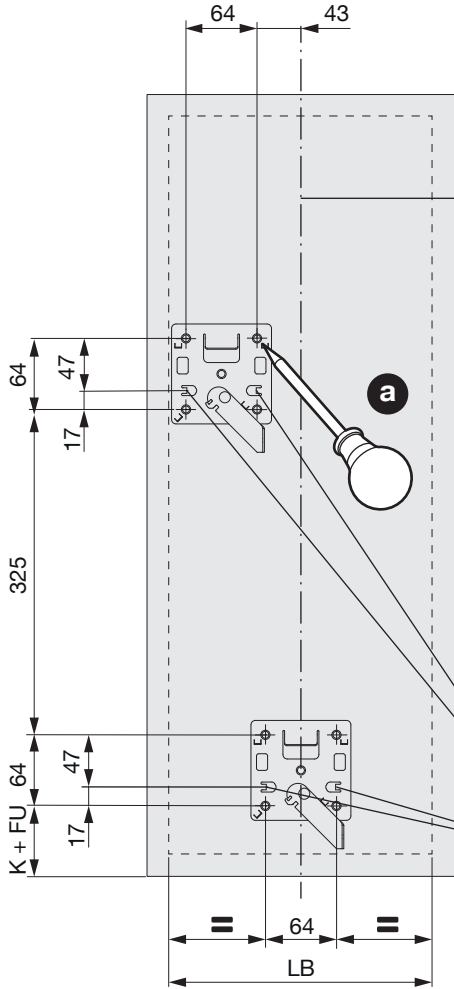
a



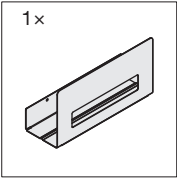
**2**



	Nova Pro NL 500	Legrabox NL 500
K	48	40

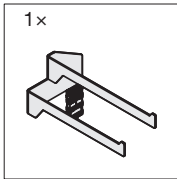


3



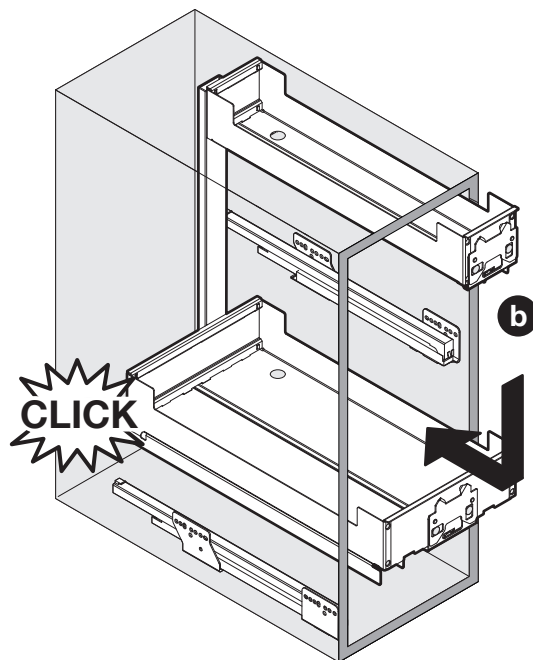
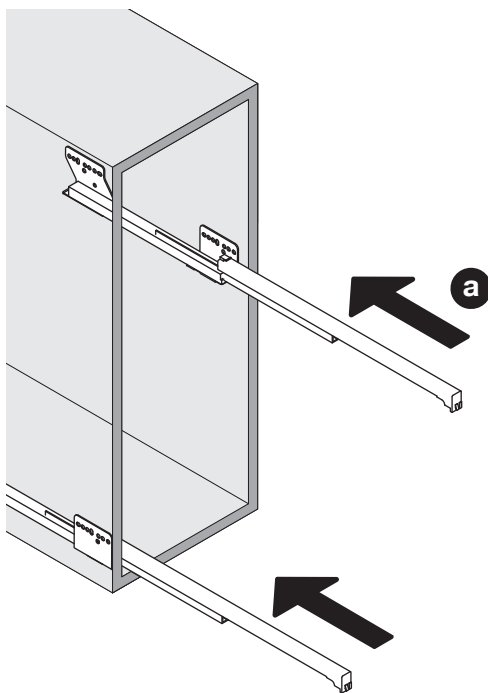
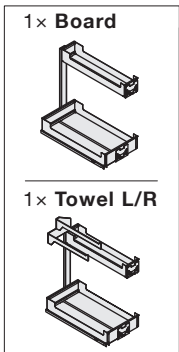
### Pinello Board

The diagram shows the Pinello Board being installed into a cabinet. Dimensions are provided: a depth of 60, a minimum height of 200, and a width of 200. A minimum clearance of 100 is shown between the board and the cabinet side. A weight limit of 'max. 6 kg' is indicated. Hardware specifications include a 4.5mm diameter screw with a 16mm length and a 6.3mm diameter screw with a 16mm length. A 5mm diameter hole is shown for the 6.3mm screw. A minimum depth of 13 is also indicated for the 6.3mm screw. Checkmarks indicate correct installation points.

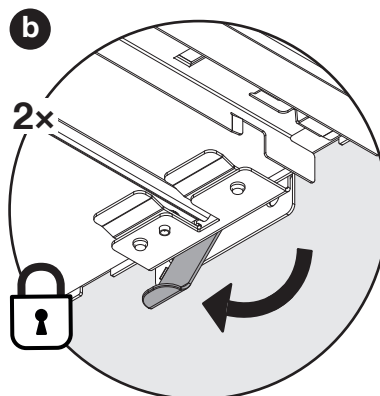
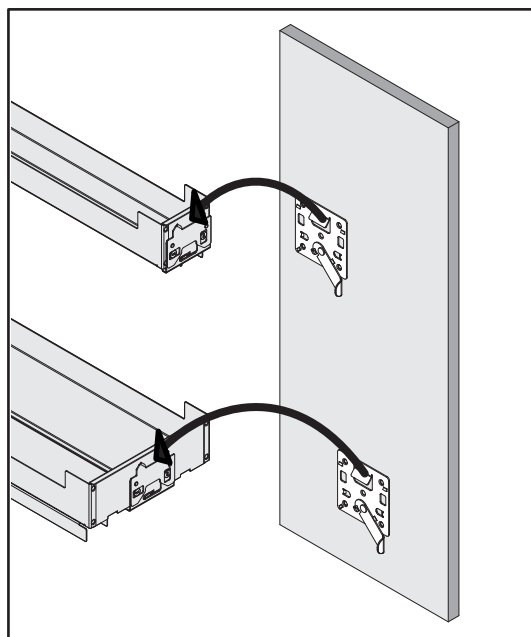
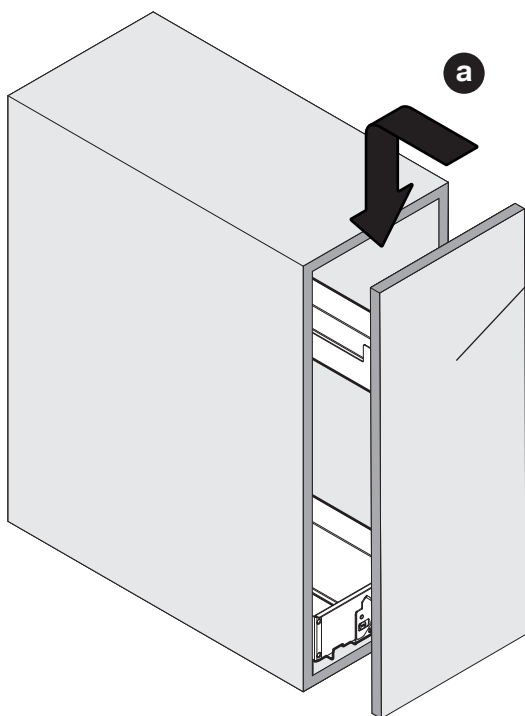


### Pinello Towel

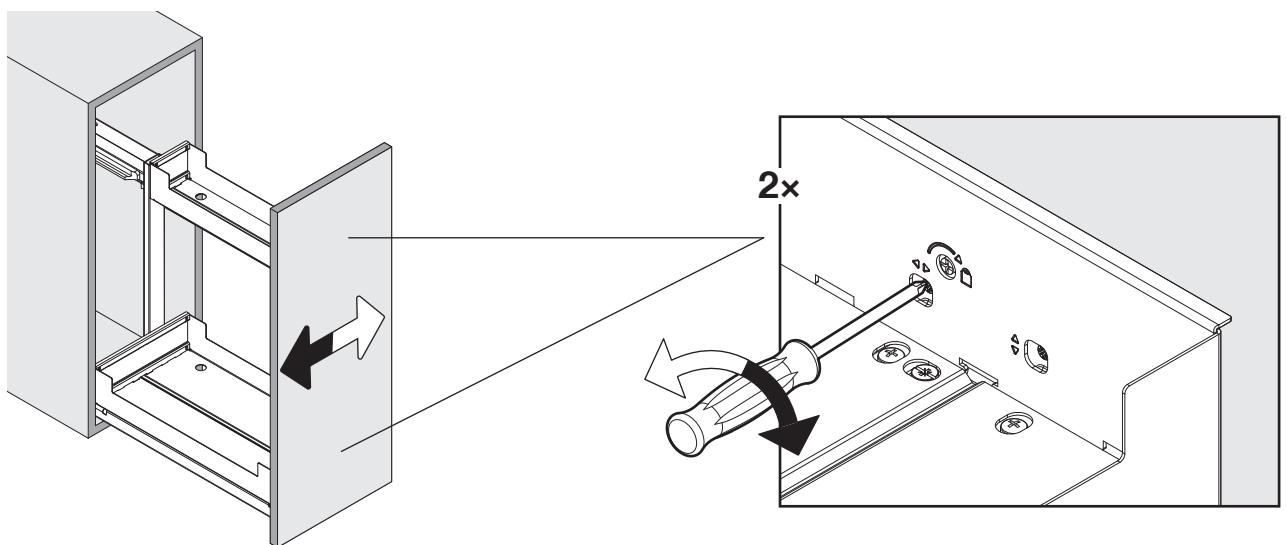
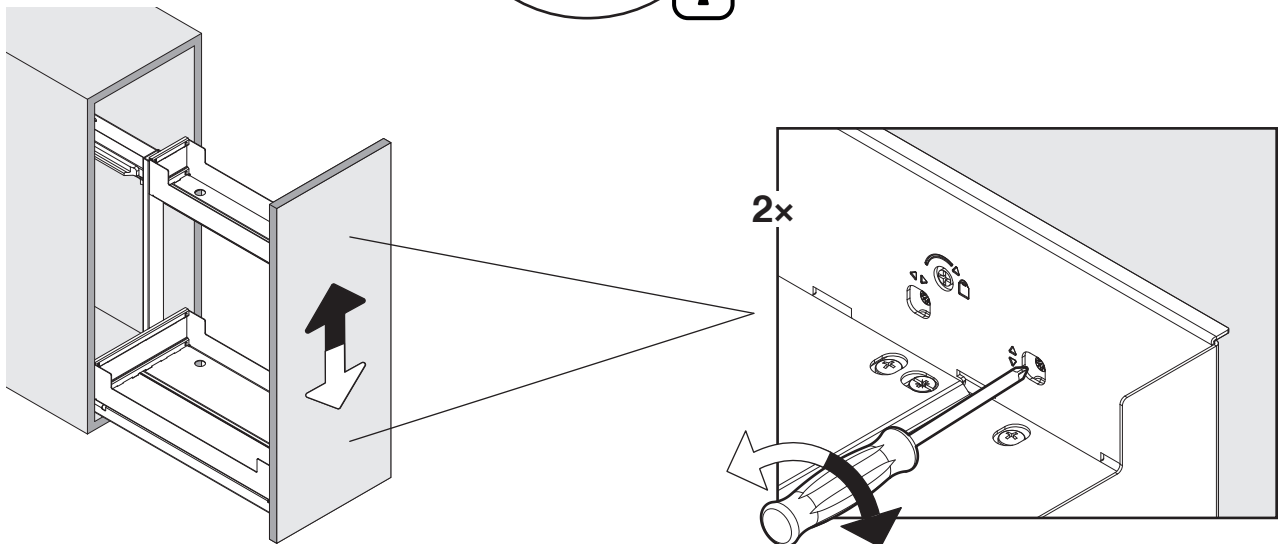
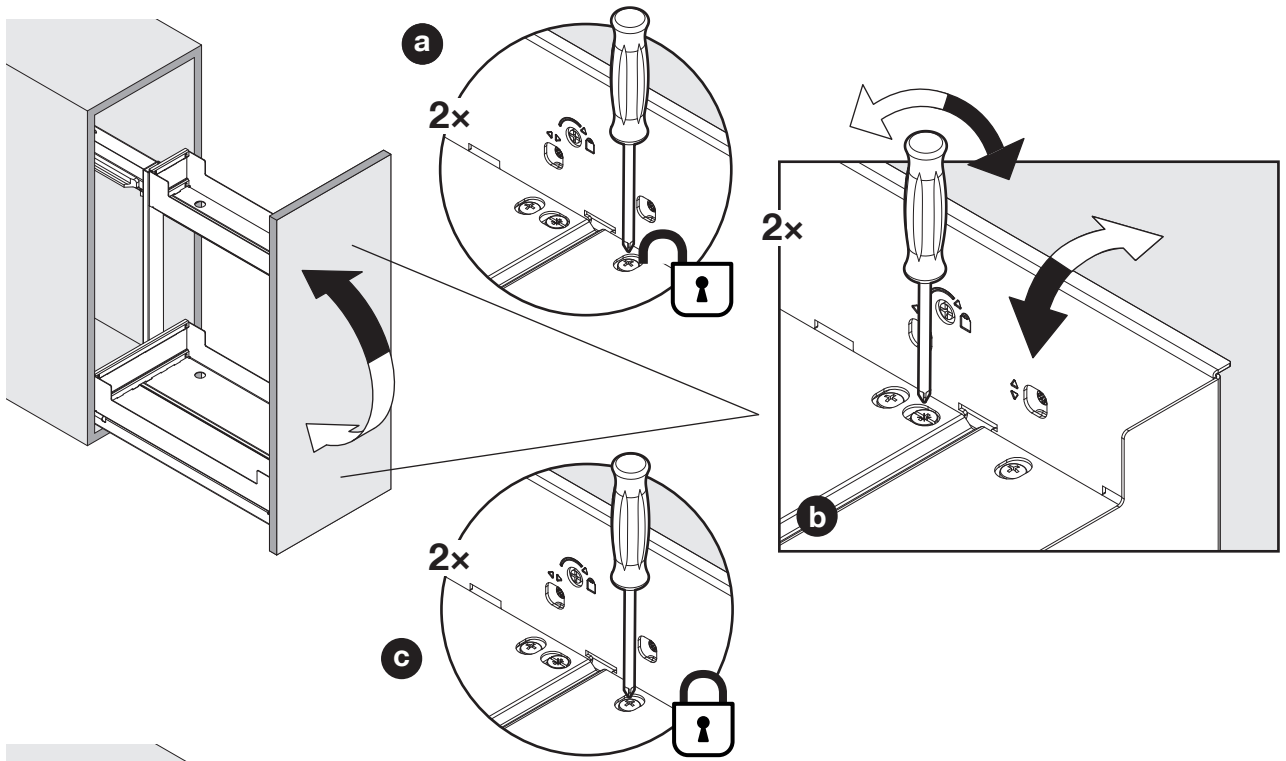
4



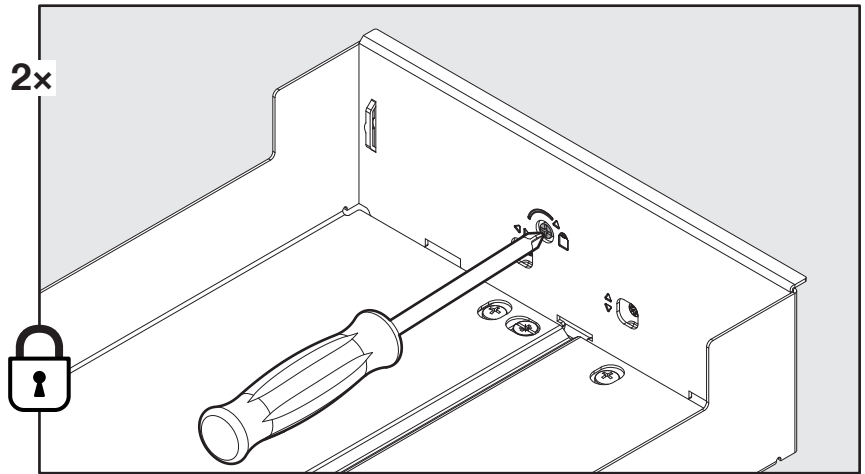
5



**i**



6



7

